

Introducing Full HD for the most realistic video communications experience ever



## Experience Superior Communication

Experience the world's first, Full HD video communications system. One look and you can see for yourself that the LifeSize<sup>®</sup> difference is the LifeSize experience - superior video experiences across cities, countries and continents.

With the LifeSize Room 200 solution, you get every bit of quality available today, with Full High Definition, standards-based 1080p30 for the highest available resolution and 720p60 for the best motion handling with lower latency. Plus, an embedded 6-way Continuous Presence multipoint bridge (with 4 visible participants), complete with transcoding and all digital I/O in a compact, sleek unit that's less than half the size of comparable solutions.

Flexibility is enhanced, since our exemplary attention to the human interface ensures that the LifeSize Room 200 system is easy to use. And because we're committed to open architecture, proven LifeSize interoperability provides full integration into your existing communications infrastructure.

You also get unprecedented bandwidth/performance:

- 768kbps for 720p30
- 1.1Mbps for 720p60
- 1.7Mbps for 1080p30

### In today's world, better than being there.

In addition to technology, service and support, LifeSize offers the most interactive, face-to-face video communications experience you can get. In fact, the LifeSize Room 200's exceptional quality and user simplicity now make remote communications a more productive, true-to-life experience. And like all LifeSize products, LifeSize Room 200 delivers superior quality of experience, unique flexibility and unmatched price performance.

## LifeSize Room 200 Key Features

Video Quality

Full High Definition Standards-based  
1920x1080 - 30fps  
1280x720 - 60fps

HD Monitors



HD Cameras Pan-Tilt-Zoom (PTZ)



HD Audio



External Audio, Video & Data Input/Output

Audio: 4 in, 2 out  
Video: 6 in, 2 out  
Data: 1 in, 1 out

Point-to-Point HD Video Communications



Embedded Continuous Presence (CP) HD Multipoint



Embedded Voice Activated Switching (VAS) HD Multipoint



# Product Specifications - LifeSize® Room 200™

## System Components

LifeSize codec with stand  
High Definition PTZ LifeSize Camera 200  
LifeSize Phone  
Wireless remote control  
Power Supply  
Cables

## Communications

H.323, SIP  
128Kbps - 6.0Mbps (point-point)  
128Kbps - 2.0Mbps (multipoint, per call)  
1xRJ-45 Network LAN (10/100 Mbps)  
1xRJ-45 for LifeSize Phone (PoE supported)  
1xRJ-45 for LifeSize Networker (PoE supported)  
1xRJ-11 for analog telephone line  
1x3.5mm Mic In for LifeSize MicPod

## Support for multiple HD displays

Any high definition display supporting HDMI or DVI-I input  
For additional information on displays,  
visit: [www.lifesize.com/support](http://www.lifesize.com/support)

## High Definition 1080p30/720p60 PTZ Camera

Support for two active camera sources at 720p30  
Wide-angle zoom lens with 70 degree field of view  
4x Optical zoom  
Auto focus / Automatic gain control  
10 camera presets (near and far end)  
Standard 3.0 M HDMI cable  
Support for Sony EVI-HD1 camera (optional)

## Video Specifications/Video Resolutions

Maximum resolutions widescreen 16:9 aspect ratio  
All resolutions progressive scanning  
All resolutions at 30 frames per second except 60 frames  
per second where noted  
384Kbps (912x512pixels) DVD resolution  
512Kbps (1024x576pixels)  
768Kbps(1280x720pixels) High Definition  
1.1Mbps (1280x720pixels @ p60) High Definition  
1.7Mbps or higher (1920x1080pixels) High Definition

## Video Standards

H.261, H.263, H.263+, H.264 and H.239 compliant  
Support for multiple dual live streaming modes:  
1080p30 and 720p5  
720p60 and 720p5  
720p30 and 720p30

## Video Formats

High Definition, 16:9 aspect ratio

## Video Inputs (6 Inputs)

1 x High Definition Camera (720p30)  
2 x HD Video In (1080p30/720p30)  
1 x DVI-I In (VGA enabled)  
1 x Component In or 1 x Composite In  
1 x S-Video In

## Video Outputs (2 Outputs)

1 x HD Video Out (1080p30/720p60)  
1 x DVI-I Out (1080p30/720p60)

## Fully Integrated, HD Audio Conference Phone

100Hz up to 16kHz  
Powered by codec directly through cable

## Audio Features

High Definition audio  
GIPS NetEQ packet loss concealment  
Full duplex for natural conversations  
Echo cancellation for echo-free calls  
Automatic gain control  
Automatic noise reduction  
MicPod or Dual MicPod support (optional)

## Audio Standards

G.711, G.722, G.722.1 (Polycom® Siren14™), G.728, G.729,  
MPEG-4 -AAC-LC

## Audio Inputs (4 Inputs)

1 x RJ-45 (LifeSize Phone)  
2 x Stereo Line In (3.5mm)  
1 x Mic In - Two channel (3.5mm)

## Audio Outputs (2 Outputs)

1 x RJ-45 (LifeSize Phone)  
1 x Stereo Line Output (3.5mm)

## Other Supported Standards

H.221, H.224, H.225, H.231, H.241, H.242, H.245, H.281,  
BONDING (ISO13871), RFC 3261, RFC 3264, RFC 2190,  
RFC 3407

## User Interface & Features

Context sensitive user interface  
Graphical User Interface Call Manager  
14 localized languages supported  
Do Not Disturb mode

## Security

Admin and User level password  
SNMP security alerts  
Ability to disable HTTP, SSH and Telnet services  
H.235 encryption support including strict compliance  
IEEE 802.1x support  
Kensington Lock™

## Intelligent Network Features

Adaptive Motion Control (AMC) including Forward Error  
Correction (FEC)  
NAT/Firewall Traversal (H.460/SIP)  
IPv4 and IPv6 support  
Auto H.323 dialing  
ISDN support via LifeSize Networker

## Directory and Address Book

Up to 1000 local directory entries  
Save, Lock, Remove Redial List features  
Missed call notification  
Auto-Discovery directory lookup (patent pending)  
LDAP support / H.350 compliant  
Meetings Directory support

## Embedded HD Multipoint Control Unit

6-way HD CP multipoint conference with up to 4 visible  
participants  
6-way HD VAS multipoint conference  
Transcoding support  
Virtual Multiway allows participant viewing control  
(patent pending)  
H.239 multipoint support shared from any participant  
Disable multipoint option

## System Management

Out of box setup via web interface and management tool  
SNMP  
1 x DB-9 RS-232 port configurable as control  
Backup and Restore capability  
JPEG snapshots through web interface

## Power

AC Voltage 100-240V, 50-60 Hz, 2.5A via external  
power supply

## Environmental Data

Operating temperature: 0 C (32 F) to 40 C (104 F)  
Operating Humidity: 15% to 85%, non-condensing  
Storage temperature: -20 C (-4 F) to 60 C (140 F)  
Storage humidity: 10% to 90%, non-condensing

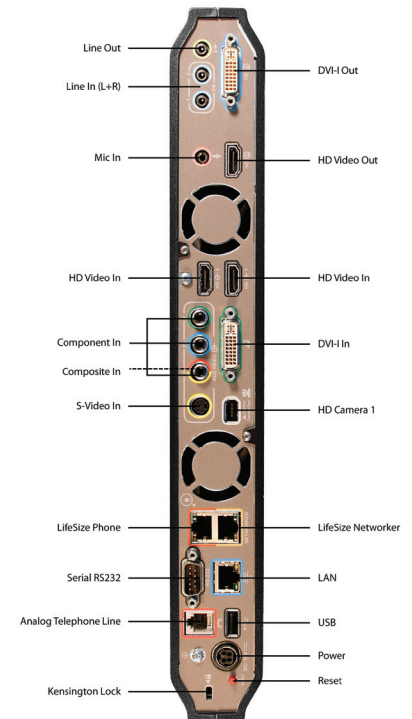
## Codec Dimensions

Width: 373.9mm (14.72")  
Depth: 225mm (8.86")  
Height: 48.3mm (1.9")  
Weight: 2.24 Kg ( 4.94lbs)

Regulatory Model Number  
LifeSize Room 200 = LFZ-015

For additional information: [www.lifesize.com/support](http://www.lifesize.com/support)

Information contained in this document is subject to change  
without notice. LifeSize® is the registered trademark or trademark  
of LifeSize Communications Inc. All other trademarks are the  
property of their respective owners. For patents covering LifeSize®  
products refer to <http://www.lifesize.com/support/legal>.  
© Copyright 2009. All rights reserved. April 2009.



LifeSize Communications:  
1601 S. MoPac Expressway  
Suite 100  
Austin, Texas 78746 USA

Phone: +1 512 347 9300  
Fax: +1 512 347 9301  
Email: [info@lifesize.com](mailto:info@lifesize.com)  
[www.lifesize.com](http://www.lifesize.com)

EMEA:  
LifeSize Communications  
Toll-Free Europe  
008000 999 09 799

APAC:  
LifeSize Communications  
Hong Kong  
Phone: +852 3189 7061